

## Nivito Cartridge For Rh, Rh-ex, Ex, Cl, Sp, Re

65 A\$

Nivito Cartridge For RH, RH-EX, EX, CL, SP, RE

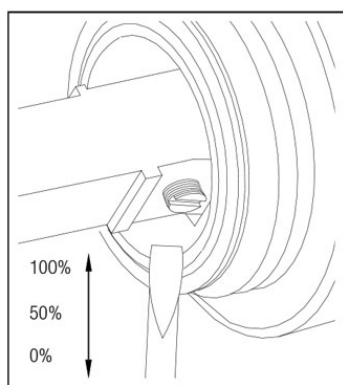
Endurance test: EN 817 70 000 cycles

ASME A 112.18.1M 500 000 cycles

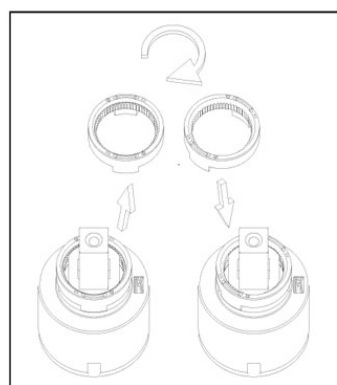
Pressure test:

Pneumatic: 6 bar / 87 psi

Hydraulic: 35 bar / 500 psi



With volume limit screw



With hot limit ring

## Additional Information

---

Collection	Nivito Cartridge For Rh, Rh-ex, Ex, Cl, Sp, Re
Display name	Nivito Cartridge For Rh, Rh-ex, Ex, Cl, Sp, Re