



nivito™

Art nr: CL-200

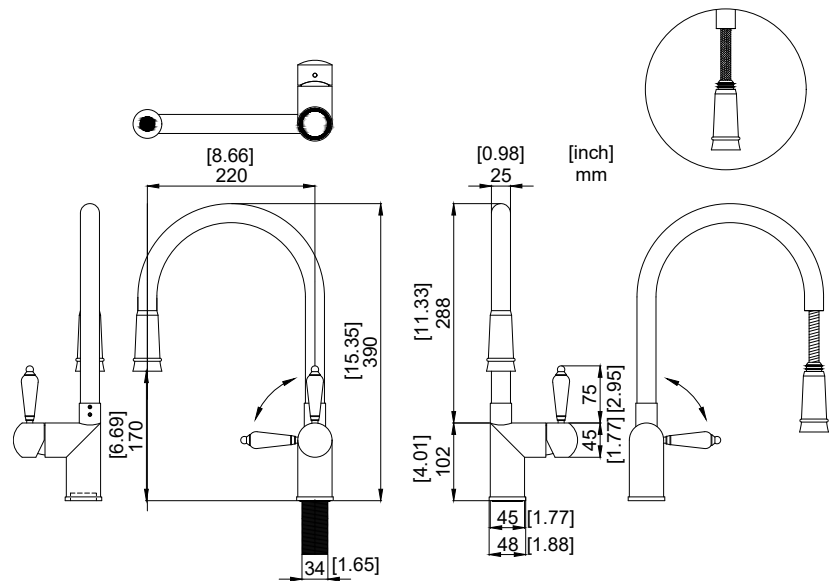
Brushed Stainless steel

EAN nr:

7350051950544

Classic.

- Kitchen taps
- Soft PEX® hoses
- Cut-out dimension 35 mm**
- Swivel range 360° and 150°
- Ceramic cartridge
- Pull down hose



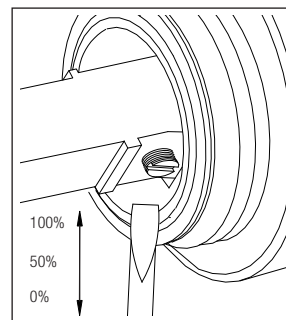
Technical specification

Application area: Tap water,
 Pressure certified: 16 bar EN 817
 The product meets the requirements of: NS-EN ISO/IEC 17065
 Working pressure: 50 - 1000 kPa
 Test pressure max 1600 kPa
 Hot water connection: max. 80 ° C
 Sound class: 1

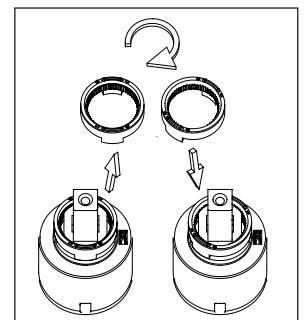
Soft PEX® connections approved with DWGW
 Length of connecting hose: 500mm
 Type approved according to Sintef nr: PS 3551
 The product meets the requirements of: NS-EN ISO/IEC 17065
 Issued: 09.05.2019 Valid until: 01.06.2024
www.sintefcertification.no

Cartridge:

Kerox 35 mm
 Endurance test: EN 817 70 000 cycles
 ASME A 112.18.1M 500 000 cycles
 Pressure test:
 Pneumatic: 6 bar / 87 psi
 Hydraulic: 35 bar / 500 psi



With volume limit screw



With hot limit ring