



# nivito™

Art nr: CL-110

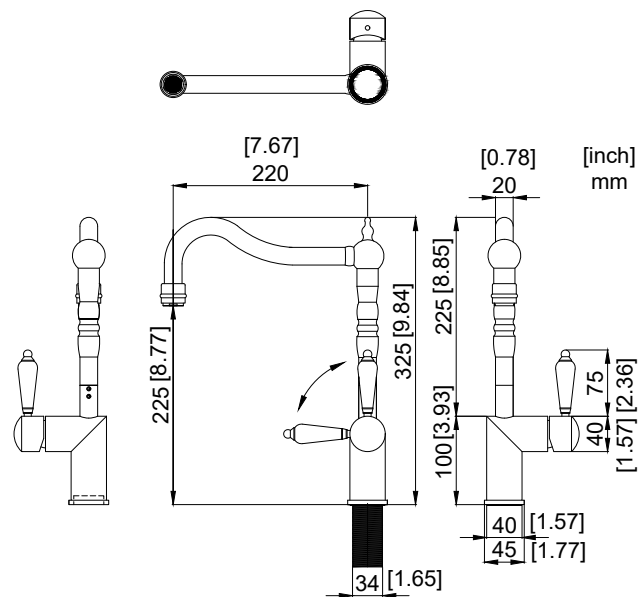
Polished Stainless steel

EAN nr:

7350051950520

## Classic.

- Kitchen taps
- Soft PEX® hoses
- Cut-out dimension 35 mm**
- Swivel range 360° and 150°
- Ceramic cartridge



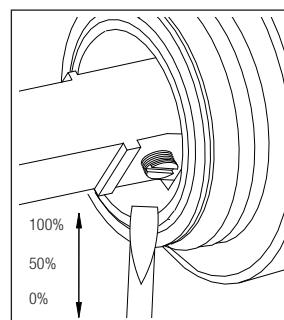
### Technical specification

Application area: Tap water,  
 Pressure certified: 16 bar EN 817  
 The product meets the requirements of: NS-EN ISO/IEC 17065  
 Working pressure: 50 - 1000 kPa  
 Test pressure max 1600 kPa  
 Hot water connection: max. 80 ° C  
 Sound class: 1

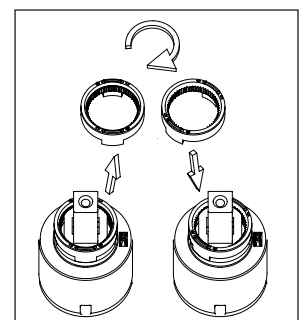
Soft PEX® connections approved with DWGW  
 Length of connecting hose: 500mm  
 Type approved according to Sintef nr: PS 3551  
 The product meets the requirements of: NS-EN ISO/IEC 17065  
 Issued: 09.05.2019 Valid until: 01.06.2024  
[www.sintefcertification.no](http://www.sintefcertification.no)

### Cartridge:

Kerox 35 mm  
 Endurance test: EN 817 70 000 cycles  
 ASME A 112.18.1M 500 000 cycles  
 Pressure test:  
 Pneumatic: 6 bar / 87 psi  
 Hydraulic: 35 bar / 500 psi



With volume limit screw



With hot limit ring